

Onboarding for MDR Role – DIP Manager Guidance Note

Data Integration Platform (DIP) Manager

Owner/author	DIP Manager	Purpose of paper	Information
Classification	Public	Document version	2.0
Summary	The MDR Role falls outside the main centralised BSCCo/RECCo qualification this Guidance Note provides detail on how MDRs onboard the DIP		

Introduction

The MDR (Meter Data Retriever) is a function required to support the Market Half Hourly Settlement (MHHS) Smart Data Service (SDS) Market Role for the collection of Consumption and Generation data from Smart Meters, via the Data Communications Company (DCC). Data can only be collected from Smart Meters via the DCC under SEC governance by qualified SEC Parties using specified User Roles and the MDR is one of these SEC User Roles.

If a MHHS Participant wishes to use SEC defined MDR functionality to collect data from Smart Meters, then the organisation concerned will have to be acceded to the Smart Energy Code as an “Other SEC Party” and will need to complete DCC User Entry Process Testing (UEPT) testing in the new DCC User Role of “MDR” as a pre-requisite to completing BSC Qualification.

Even though the MDR function is sometimes described as the MDR role this is not quite the reality as the MDR role is not BSC/RECCo Qualified via the corresponding Code Body Qualification, but in a process in their own right. SDS is the MHHS role that the MDR function and activity falls under, and it is SDS that will be Qualified via the Code Body Qualification process. Completion of the full SEC defined UEPT for the MDR User Role will be required for SDS MHHS BSC Qualification sign off for those SDS service providers wishing to operate MDR.

Also, even though the MDR function is the responsibility of the SDS role, the SDS provider may not actually undertake the service themselves, they have the option to outsourcing this to another provider; this is covered below.

Supplier – SDS Relationship

Each Supplier, operating an extensive portfolio of MPANs, regardless of its size, will need to choose a corresponding Data Service (Smart, Advanced or Unmetered) to partner with for each MPAN. Suppliers may have partnerships with multiple Data Services. Where a MPAN is for a Smart Meter, the Supplier and the SDS need to agree how the MDR function is carried out. At present, it is anticipated that there at least four possible set-ups for the MDR function:

1. Model 1 - Supplier performs MDR function using existing data collection process
2. Model 2 - Supplier performs MDR function using new data collection process
3. Model 3 - Supplier contracts with SDS to perform MDR function
4. Model 4 - Supplier contracts with SDS to perform MDR function using a third-Party organisation

See appendix 1 for a detailed description of these different models.

Each organisation providing the MDR function is provided a DIP Id for their MDR 'role' against the MPID assigned to their organisation. These DIP Ids are used as part of the Registration Process to confirm which organisation the Supplier has appointed to provide the MDR function for each registered MPAN. These DIP Ids are registered within the DIP and are subsequently published in the Elexon ISD M16 catalogue.

Extended MDR

Those parties undertaking the MDR function have a choice of being 'Extended' within the DIP, i.e. if a party is an extended MDR within the DIP then they will exchange messages between the MDR party and a contracted SDS using the IF-061-065 suite of messages and have the option to receive the IF-006, IF-008, IF024 & IF-026 data flows.

Extended SDS

The SDSs who are undertaking the SDS side of the Extended SDS-MDR message exchange, i.e. using the IF-061-065 suite of messages, will need to inform the DIP Manager of their intentions so that the corresponding testing and activation can occur.

The extended MDR/SDS function within the DIP is set-up slightly differently to the other BSCCo/RECCo qualified roles.

This Guidance Note describes the obligations that parties wanting to use the extended MDR/SDS functionality are required to carry out.

Guidance

1. Guidance for Suppliers

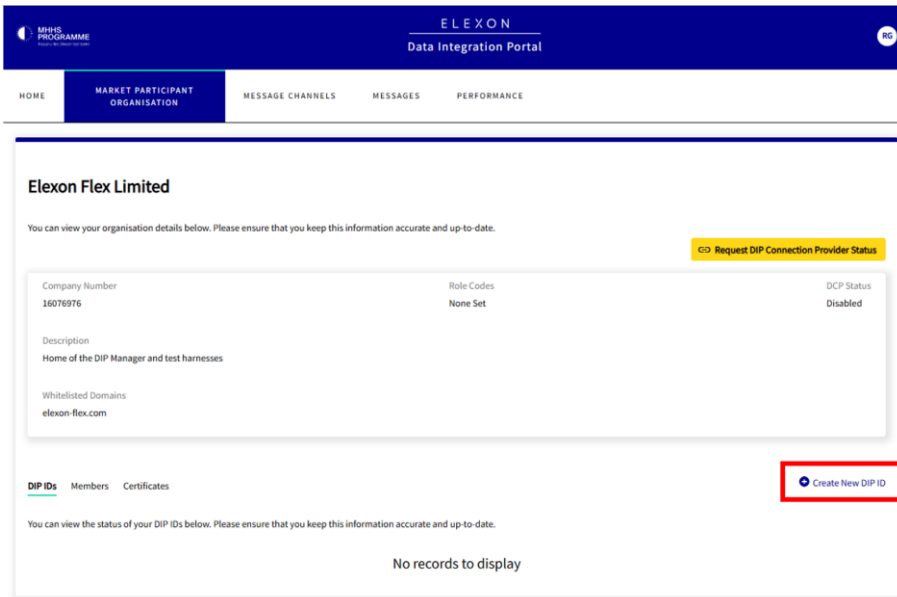
- 1.1 The RFI issued by Elexon in May 2025, provided the working assumption that most Suppliers will want to perform the MDR function themselves, within the MHHS ecosystem, i.e. Either Model 1 or 2.
- 1.2 When onboarding onto the UIT environment, as well as Suppliers creating/confirming their Supplier DIP Ids, they are also required to create/confirm the MDR DIP Id for the same supplier MPID (see section 3)
- 1.3 Suppliers will also need to decide if they want to use the Extended MDR functionality described in the guidance below (see section 4)

2. Guidance for Smart Data Services

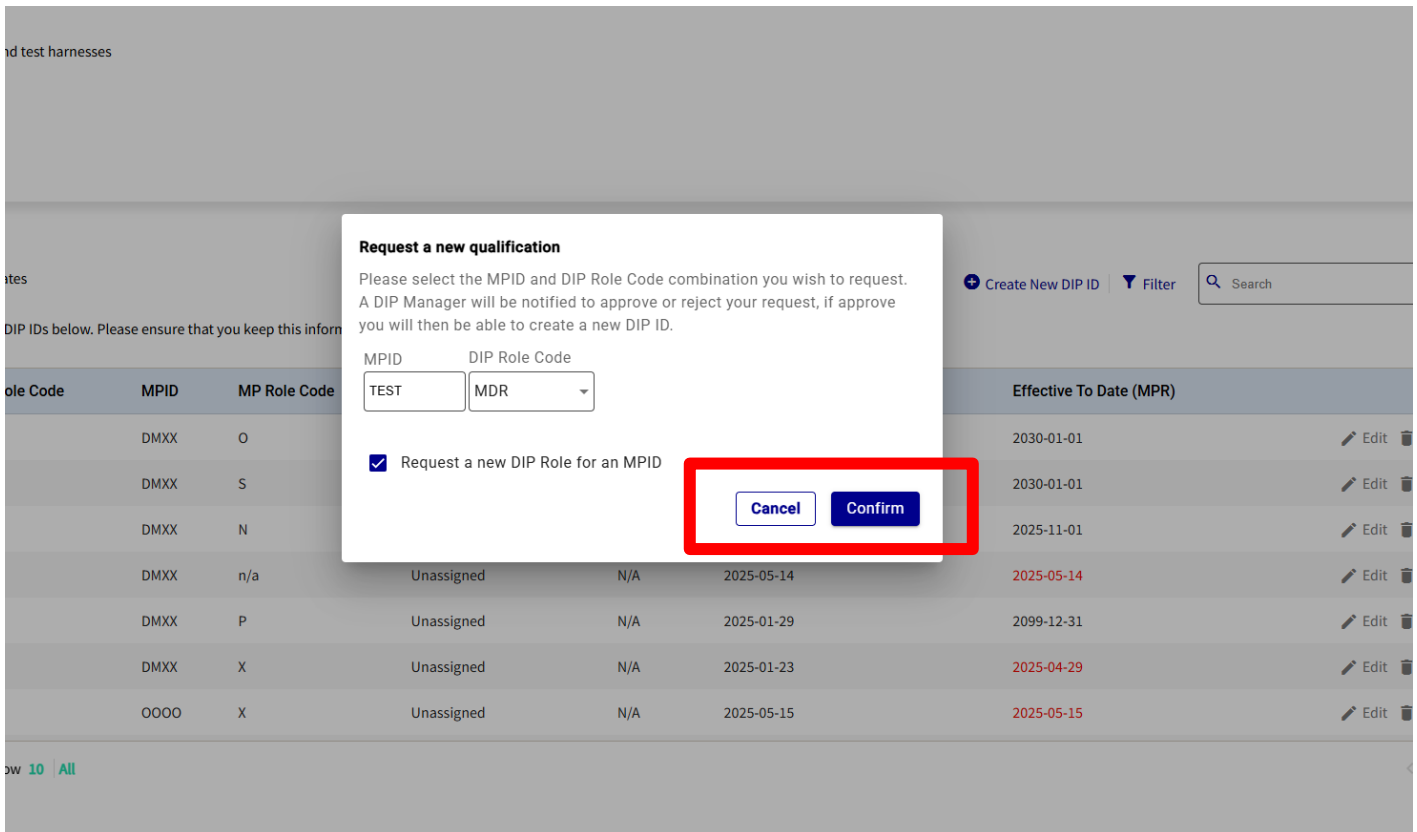
- 2.1 Data Services also have the option of performing the MDR function.
- 2.2 Hence, any Data Service wanting to provide the MDR need to request a DIP Id using the process described below (see section 3)
- 2.3 Data Services wanting to use the Extended SDS-MDR capability should follow the guidance in the Extended SDS service below (see section 6)

3. Guidance for Setting Up an MDR DIP Id

- 3.1 DIP Manager will send out invites to the qualifying parties to on-board onto UIT. If you have not received an invitation to on-board and you think you should have, please contact your MHHS Qualification representative.
- 3.2 The party onboarding needs to follow the guidance outlined in https://www.mhhsprogramme.co.uk/uploads/440c10c9-f753-43ba-8788-717dc1d9f7a9/MHHS-DEL3704_DIP_Onboarding_-_Suppliers_and_Agents_v3.2.pdf or on the DIP Manager website <https://www.elexon.co.uk/what-we-do/about-our-services/data-integration-platform-dip/dip-training-and-guidance/> for setting up DIP ids, the pertinent section detailing DIP Id set-up is repeated below:
- 3.3 Setting Up DIP Ids
 - 3.3.1 Navigate to the DIP Ids tab on the DIP Portal and select the Create New DIP Id option:



3.3.2 Use the drop-down MPID and DIP Role Code to select the pertinent DIP Ids that align with the Participants qualification, and they can also request an MDR DIP Id:



3.3.3 Either the DIP Id is pre-approved (the position for all existing MPIDs with a Supplier role) and a DIP Id will already exist for the MPID/Role combination, or it will need to be requested (for all non-supplier MPIDs), and the DIP Manager will need to approve.

3.3.4 If the DIP Id is not pre-approved then the DIP Id request, i.e. MPID/Role combination, is sent to the DIP Manager for approval.

4. Providing the extended MDR Function

4.1 If the Participant wants to use the provide the extended MDR/SDS functionality, then they will need to:

- Inform the DIP Manager that they want to undertake MDR certification and the company details of the two nominated parties (SDS & MDR).

- Within the DIP establish SDS-MDR pairings.
- Also need to inform the DIP Manager which interfaces certification is required for. An MDR-SDS does not have use all the MDR enabled interfaces:

Interface	Enabled (Y/N)
Optional interfaces:	
IF-006	
IF-008	
IF024	
IF026	
Extended Interfaces:	
IF-061	
IF-062	
IF-063	
IF-064	
IF-065	

- If they are using the Extended Interfaces, then they will need to inform the DIP Manager which SDS they are partnering with.
- If not already undertaken, upload a new set of GlobalSign API credentials and a MTLS certificate into the DIP Portal and create a new DIP mTLS/signing certificate
- Create new API keys for each MDR DIP Id
- If using a DCP to provision the MDR service then assign a DCP Id to the MDR DIP Id
- Set-up webhook endpoints for all the required interfaces

Setting Up PKCS Certificates

- 4.2 A new set of GlobalSign API credentials are required for each environment, hence SIT participants will need access the GlobalSign platform and undertake the required steps : <https://www.elexon.co.uk/what-we-do/about-our-services/data-integration-platform-dip/dip-training-and-guidance/managing-your-globalsign-account-as-part-of-dip/> - follow from Step 6 onwards

SIT Participants would have already on-boarded onto the GlobalSign Platform atlas and already have an account hence that part of the guidance that deals with GlobalSign onboarding does not need to be followed

DIP Id API Keys

- 4.3 In the API Keys section of the DIP Id management tab, regenerate and copy the Primary and Secondary API keys

Webhook set-up

- 4.4 In the message channel management tab set up webhook URLs for each interface for each DIP Id. Again the guidance is found on the DIP Manager website <https://www.elexon.co.uk/what-we-do/about-our-services/data-integration-platform-dip/dip-training-and-guidance/>.

5. DIP Manager Extended MDR Certification

- 5.1 A guidance note/proforma describing the detail of extended testing will be forthcoming; an overview of the requirements is described here:
- 5.2 For an MDR to become certified by the DIP Manager to undertake the Extended MDR function, the MDR must:
- a) For the chosen incoming flows, both extended and optional, prove that sample messages can be consumed.

b) For the chosen extended outgoing flows prove that sample messages can be produced.

5.3 Undertake the extended message exchange with the nominated SDS partner.

5.4 If an MDR is represented by a DIP Connection Provider or software supplier that has already been through the certification steps (i.e. steps 5.2 & 5.3 above) with another MDR party utilising the same system then providing this evidence is deemed acceptable for obtaining extended MDR certification.

5.5 Once the message exchanges have been certified in UIT then the corresponding configuration can be “Promoted to Production”

6. DIP Manager Guidance for Extended Smart Data services

6.1 As above, a guidance note/proforma describing the detail of extended testing will be forthcoming; an overview of the requirements is described here:

6.2 To become certified by the DIP Manager to undertake the Extended SDS function:

a) For the chosen incoming optional flows prove that sample messages can be consumed.

b) For the chosen outgoing optional flows prove that sample messages can be produced.

6.3 For the additional flows the messages exchange needs to be with nominated MDR partner.

6.4 Again, if an SDS is represented by a DIP Connection Provider or software supplier that has already been through the certification steps (i.e. steps 6.2 & 6.3 above) with another SDS party utilising the same system then providing this evidence is deemed acceptable for obtaining extended SDS certification.

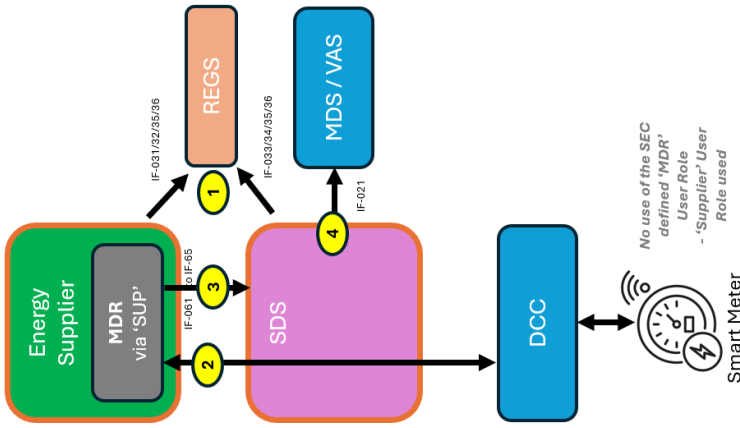
6.5 Once the message exchanges have been certified in UIT then the corresponding configuration can be “Promoted to Production”

For further information please contact the DIP Manager at DIPManager@Elexon.co.uk

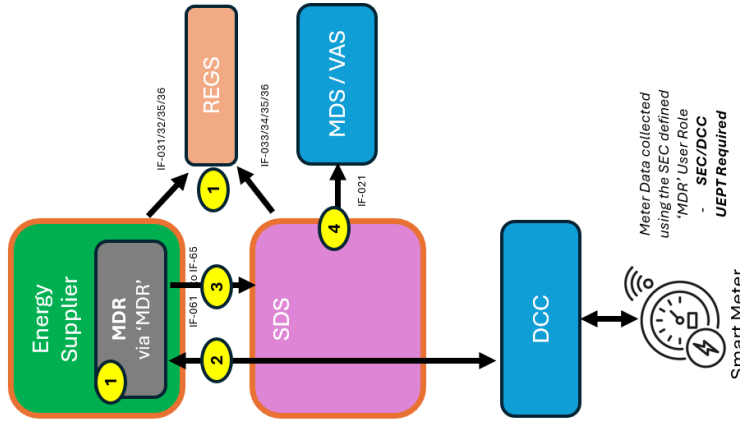
Generally Supplier Choice BUT noting, Customer Appointed SDS Scenario Customer contracts directly with an SDS for the provision of data services. Supplier is not then in control of the data collection decision.

Summary of potential operating models using the MDR function to support MHHS

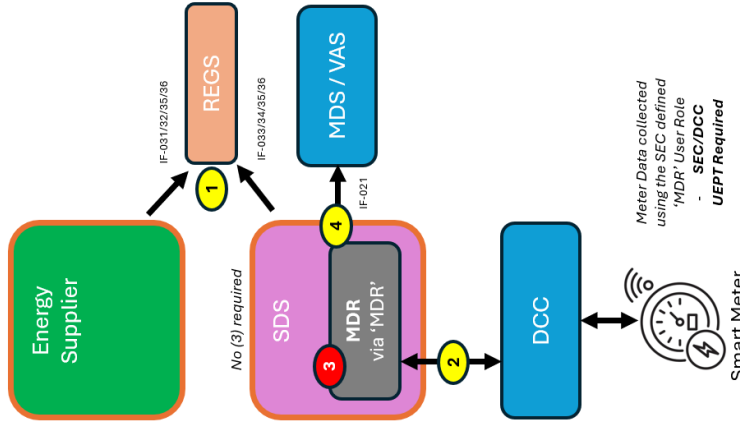
Model 1 - Supplier performs MDR function using existing data collection process



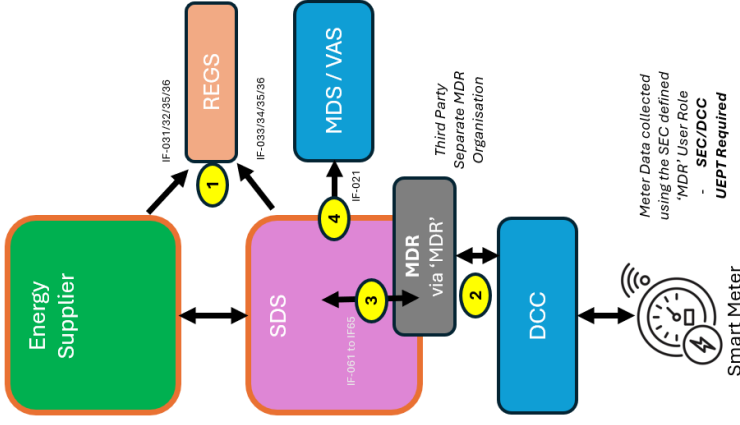
Model 2 - Supplier performs MDR function using new data collection process



Model 3 - Supplier contracts with SDS to perform MDR function



Model 4 - Supplier contracts with SDS to perform MDR function using a third-Party organization



Key

1	Registration Process - MDR identity provided to registration by Supplier / SDS within DIP messages (inc. MDR DIP Participant ID)	2	Request Data Retrieval - MDR function sends request to DCC to collect data from Smart Meter and receives response	3	Data Transfer - Optional DIP Messages (CR-023) or internal process	4	Data Transfer - Send Consumption Data for Settlement processing
---	---	---	--	---	---	---	--

RED OUTLINE = Qualification Party